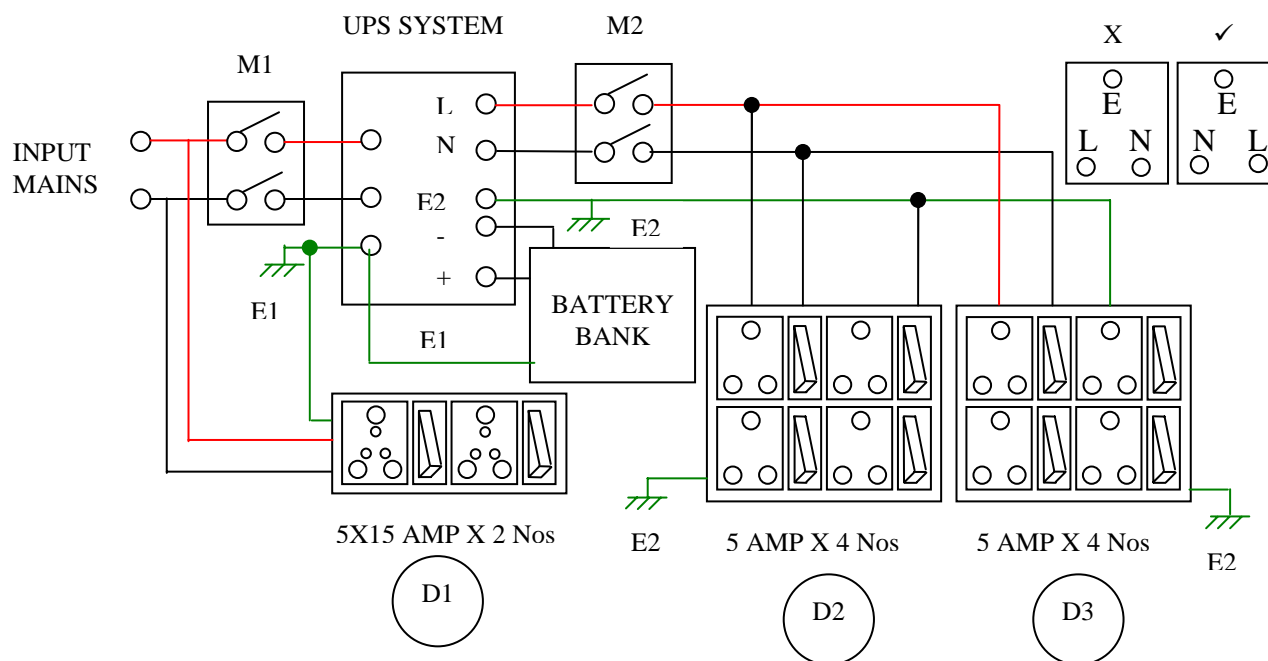


SITE PREPARATION DIAGRAM

THIS DIAGRAM IS APPLICABLE FOR SINGLE PHASE INPUT & SINGLE PHASE OUTPUT ON LINE UPS
(1 ϕ I/P - 1 ϕ O/P) :-



NOTES :

1. ENSURE THAT ALL THE LIVE, NEUTRAL & EARTHING (INPUT/OUTPUT) WIRING (SHOULD BE) AS PER STANDARD RULES, i.e. LIVE SHOULD BE ON THE RIGHT SIDE OF THE SOCKET, NEUTRAL ON THE LEFT & EARTHING ON THE TOP OF THE SOCKET.
2. IN CASE OF TWO SEPARATE EARTHING USE GREEN COLOUR FOR INPUT – BLUE COLOUR FOR OUTPUT.
M1 – INPUT MCB DOUBLE POLE
M2 – OUTPUT MCB DOUBLE POLE
EARTHING : E1 – INPUT EARTHING i.e. COMMON EARTHING
E2 – OUTPUT EARTHING WHICH IS SEPARATELY DUG.
3. PROPER COLOUR CODING SHOULD BE USED FOR INPUT & OUTPUT WIRING
 1. LIVE – RED COLOUR
 2. NEUTRAL – BLACK COLOUR
 3. EARTHING – GREEN COLOUR
4. DISTRIBUTION BOARDS
D1 – DISTRIBUTION BOARD WITH SWITCHES FOR SERVICING
D3, D4 – DISTRIBUTION BOARDS FOR COMPUTERS WITH SWITCHES INDIVIDUALLY

NOTE :- ALL MCB's – (INPUT / OUTPUT) SHALL BE OF 'G' TYPE ONLY.

DETAILS OF MATERIAL SPECIFICATIONS REQUIRED FOR SITE PREPARATION OF TRUE-ON-LINE UPS :-

ONLY FOR SINGLE PHASE INPUT SINGLE PHASE OUTPUT

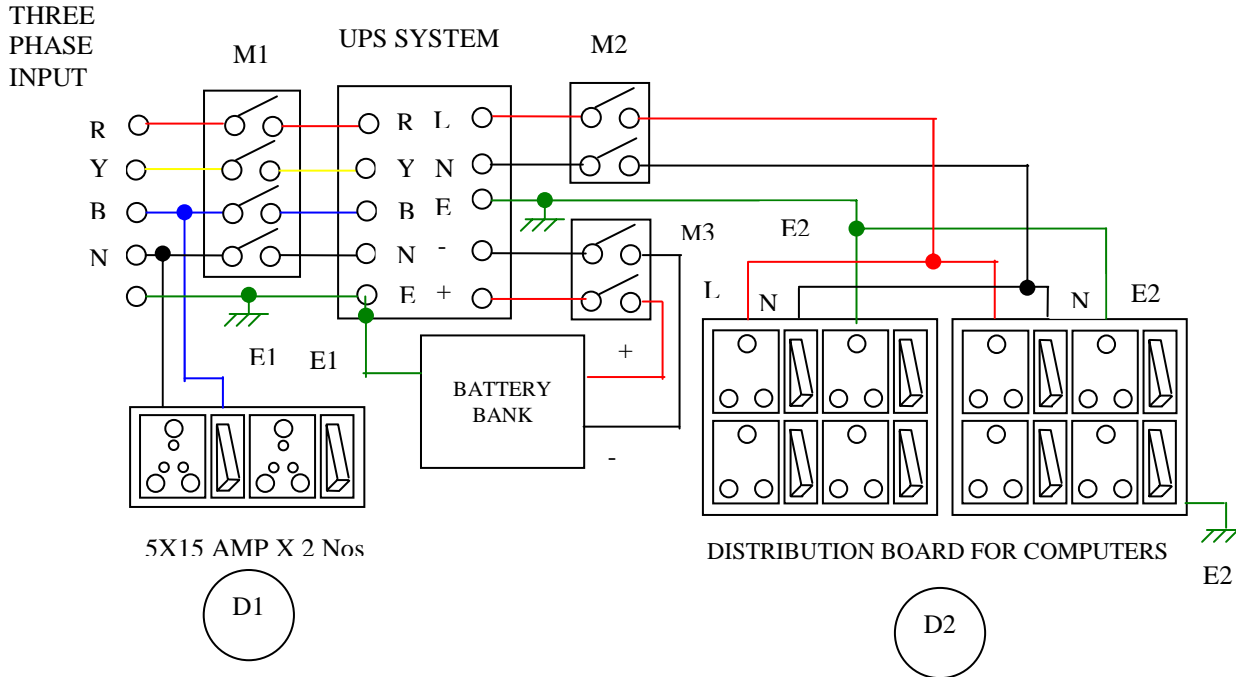
SR. NO.	RATINGS OF UPS SINGLE PHASE IN KVA	APPROXIMATE MCB RATING AT I/P SIDE 'G' TYPE (M1)	APPROXIMATE MCB RATING AT O/P SIDE 'G' TYPE (M2)	WIRING SIZE & LENGTH	
				LENGTH FROM I/P MCB TO UPS	FROM O/P OF UPS TO O/P MCB
	SINGLE PHASE I/P	TWO POLE	TWO POLE	MULTISTRAND FLEXIBLE WIRE	MULTISTRAND FLEXIBLE WIRE
1.	0.5 KVA	8 AMP.	2.5 AMP	GIVEN WITH UPS (4 MTR)	1/18, 4 MTR
2.	1.0 KVA	10 AMP	5 AMP	GIVEN WITH UPS (4 MTR)	4 SQ.MM 4 MTR OR 6 SQ.MM
3.	1.5 KVA	15 AMP.	7 AMP	3/20, 4 MTR	3/22, 4 MTR
4.	2.0 KVA	18 AMP	8 AMP	7/22, 4 MTR	3/22, 4 MTR
5.	3.0 KVA	28 AMP	13 AMP	7/20, 4 MTR	3/20, 4 MTR
6.	5.0 KVA	50 AMP	22 AMP	7/18, 4 MTR	7/20, 4 MTR

NOTES : -

1. THE MCB & PLUGS USED FOR TERMINATION SHOULD BE FROM REPUTED MAKE, BEARING I.S.I. MARK.
2. THE SIZE & LENGTH OF THE WIRE MENTIONED ABOVE HAS TO BE TERMINATED AT ONE END WITH ROUND TYPE LUGS & INTERNAL DIAMETER 8 MM.
3. IN CASE OF ALL UPS RATINGS 1.0, 0.5 TO 5.0 KVA, CLIENT MUST PROVIDE TWO ADDITIONAL 5.0 AMP MAINS SOCKET WITH SWITCH NEAR THE UPS MAINS I/P. THIS IS REQUIRED FOR MAINTENANCE WORK.
4. DO NOT PUT ELCB+MCB AT I/P, ONLY MCB SHOULD BE USED, ELSE IT WILL TRIP UPS AGAIN & AGAIN.
5. EXHAUST FAN MUST BE PROVIDED IN CASE OF SMALL ROOM / CONGESTED SITE. SEPARATE EARTH PIT IS REQUIRED FOR ALL RATINGS OF UPS SYSTEMS.

SITE PREPARATION DIAGRAM

THIS DRAWING IS APPLICABLE FOR THREE PHASE INPUT AND SINGLE PHASE OUTPUT UPS SYSTEM : (3 ϕ I/P - 1 ϕ O/P) :-



NOTES :

IN CASE OF TWO SEPERATE EARTHINGS USE GREEN COLOUR FOR INPUT AND BLUE OR BROWN COLOUR FOR THE OUTPUT

1. MCB

M1 : THREE PHASE INPUT MCB FOUR POLE

M2 : DOUBLE POLE MCB

M3 : DOUBLE POLE MCB

2. EARTHINGS :

E1 – EARTHING COMMON

E2 – OUTPUT EARTHING SEPERATELY DUG

3. DISTRIBUTION BOARDS :

D1 – DISTRIBUTION BOARD WITH SWITCHES FOR SERVICING

D2 – DISTRIBUTION BOARD FOR COMPUTERS

NOTE :- ALL MCB'S (INPUT/OUTPUT) SHALL BE OF 'G' TYPE ONLY NOTE :- ALL MCB'S (INPUT/OUTPUT) SHALL BE OF 'G' TYPE ONLY

DETAILS OF MATERIAL SPECIFICATIONS REQUIRED FOR SITE PREPARATION OF TRUE-ON-LINE UPS :-

ONLY FOR THREE PHASE INPUT SINGLE PHASE OUTPUT –

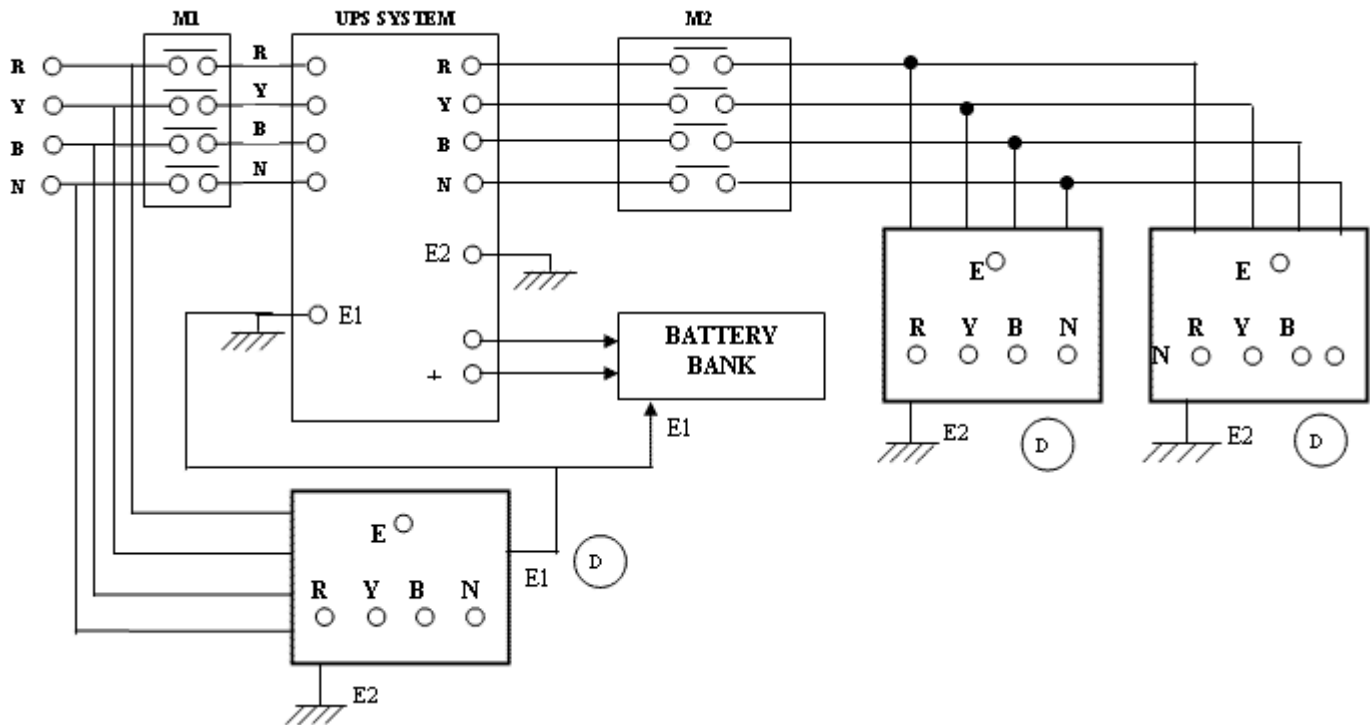
SR. NO.	RATING OF UPS (1 PHASE O/P) KVA	APPROXIMATE MCB RATING AT I/P SIDE M1	APPROXIMATE MCB RATING AT O/P SIDE M2	APPROXIMATE MCB RATING AT O/P SIDE M3	WIRING SIZE & LENGTH	
					LENGTH FROM I/P MCB TO UPS	FROM O/P OF UPS TO O/P MCB
A.	THREE PHASE I/P	FOUR POLE	TWO POLE	TWO POLE	MULTISTRAND FLEXIBLE WIRE	MULTISTRAND FLEXIBLE WIRE
1.	7.5 KVA	30 AMP PER POLE	40 AMP PER POLE	30 AMP PER POLE	GIVEN WITH UPS (4 MTR)	1/18, 4 MTR
2.	10.0 KVA	40 AMP PER POLE	50 AMP PER POLE	40 AMP PER POLE	GIVEN WITH UPS (4 MTR)	4 SQ.MM 4 MTR, OR 6 SQ.MM
3.	15.0 KVA	50 AMP PER POLE	65 AMP PER POLE	60 AMP PER POLE	3/20, 4 MTR	3/22, 4 MTR
4.	20.0 KVA	70 AMP PER POLE	90 AMP PER POLE	80 AMP PER POLE	7/22, 4 MTR	3/22, 4 MTR
5.	30.0 KVA	100 AMP PER POLE	125 AMP PER POLE	120 AMP PER POLE	50 SQ. MM, 4 MTR	70 SQ.MM, 4 MTR
6.	40.0 KVA	125 AMP PER POLE	175 AMP PER POLE	150 AMP PER POLE	70 SQ. MM, 4 MTR	90 SQ.MM, 4 MTR
7.	50.0 KVA	175 AMP PER POLE	225 AMP PER POLE	175 AMP PER POLE	90 SQ. MM, 4 MTR	120 SQ.MM, 4 MTR

NOTES :

1. THE MCB & LUGS ARE USED FOR TERMINATION SHOULD BE FROM A REPUTED MAKE, BEARING I.S.I. MARK
2. THE SIZE & LENGTH OF WIRE MENTIONED ABOVE HAS TO BE TERMINATED AT ONE END WITH ROUND TYPE LUGS WITH INTERNAL DIAMETER 8 MM.
3. IN CASE OF UPS RATINGS 1.0, 7.5 TO 20 KVA, CLIENT MUST PROVIDE TWO ADDITIONAL 5X15 AMP. MAINS SOCKET WITH SWITCH NEAR THE MAINS INPUT, THIS IS REQUIRED FOR MAINTENANCE WORK.
4. DO NOT PUT ELCB+MCB AT INPUT ONLY MCB SHOULD BE USED, ELSE IT WILL TRIP UPS AGAIN & AGAIN.
5. EXHAUST FAN MUST BE PROVIDED IN CASE OF SMALL ROOM / CONGESTED SITE.
6. SEPEARTE EARTH FIT IS REQUIRED FOR ALL RATINGS OF UPS SYSTEMS.

SITE PREPARATION DIAGRAM

THIS DIAGRAM IS APPLICABLE FOR THREE PHASE INPUT AND THREE PHASE OUTPUT ON LINE UPS (3PH I/P – 3 PH O/P)



NOTES :

- 1) ENSURE THAT ALL THE LIVE (R, Y, B) NEUTRAL AND EARTHING (INPUT/OUTPUT) WIRING (SHOULD BE) AS PER STANDARD RULES
- 2) IN CASE OF TWO SEPARATE EARTHINGS USE
GREEN COLOUR - FOR INPUT
BLUE COLOUR - FOR OUTPUT.
M1 – INPUT MCB THREE POLE
M2 – OUTPUT MCB THREE POLE
EARTHINGS : E1 – INPUT EARTHING i.e COMMON EARTHING
E2 – OUTPUT EARTHING WHICH IS SEPARATELY DUG
- 3) PROPER COLOUR CODING SHOULD BE USED FOR INPUT AND OUTPUT WIRING
 - A) LIVE – RED, YELLOW, BLUE COLOUR
 - B) NEUTRAL – BLACK COLOUR
 - C) EARTHING – GREEN COLOUR
- 4) DISTRIBUTION BOARDS
 - D1 – DISTRIBUTION BOARD WITH SWITCHES FOR SERVICING
 - D2 , D3 – DISTRIBUTION BOARDS FOR COMPUTERS WITH SWITCHES INDIVIDUALLY
 - NOTE: ALL MCB's – (INPUT / OUTPUT) SHALL BE OF 'G' TYPE ONLY

DETAILS OF MATERIAL SPECIFICATIONS REQUIRED FOR SITE PREPARATION OF TRUE – ON – LINE UPS

ONLY FOR THREE PHASE INPUT THREE PHASE OUTPUT

SR. NO	RATING OF UPS IN KVA	APPROXIMATE MCB RATING AT I/P SIDE	APPROXIMATE MCB RATING AT O/P SIDE	WIRING SIZE & LENGTH	
				FROM I/P MCB TO UPS	FROM O/P OF UPS TO O/P MCB
	THREE PHASE I/P	THREE POLE AMP / POLE	THREE POLE AMP / POLE	MULTISTR & FLEXIBLE WIRE	MULTISTR & FLEXIBLE WIRE
1.	5.0	45A	10A	06 sq.mm / 6mtr	06 sq.mm / 6mtr
2.	10.0	30A	16A	10 sq.mm / 6 mtr	06 sq.mm / 6mtr
3.	15.0	45A	20A	10 sq.mm / 6mtr	06 sq.mm / 6mtr
4.	20.0	60A	30A	25 sq.mm / 6mtr	10 sq.mm / 6mtr
5.	25.0	70A	35A	25 sq.mm / 6mtr	10 sq.mm / 6mtr
6.	30.0	90A	40A	35 sq.mm / 6mtr	10 sq.mm / 6mtr
7.	40.0	115A	60A	50 sq.mm / 6 mtr	25 sq.mm / 6mtr
8.	50.0	142A	70A	95 sq. mm / 6mtr	50 sq.mm / 6mtr

NOTES:

1. THE MCB AND PLUGS USED FOR TRMINATION SHOULD BE FROM REPUTED MAKE, BEARING I.S.I MARK
2. THE SIZE AND LENGTH OF THE WIRE MENTIONED ABOVE HAS TO BE TERMINATED AT ONE END WITH ROUND TYPE LUGS AND INTERNAL DIAMETER 8 MM
3. DO NOT PUT ELCB + MCB AT INPUT ONLY MCB SHOULD BE USED, ELSE IT WILL TRIPUPS AGAIN AND AGAIN.
4. EXAUST FAN MUST BE PROVIDED IN CASE OF SMALL ROOM / CONGESTED SITE.
5. SEPARATE EARTH FIT IS REQUIRED FOR ALL RATINGS OF UPS SYSTEMS.

*** Chassis dimensions with Castor Wheel & Canopy ***

Rating	W	D	H
1 & 2 KVA	400	610	590
3 to 5 KVA	400	610	650
7.5, 10, 15 KVA	550	650	795
20 KVA	700	850	1065
40 KVA	700	850	1050
60 KVA	700	1000	1400

Note : All Dimensions are in mm.